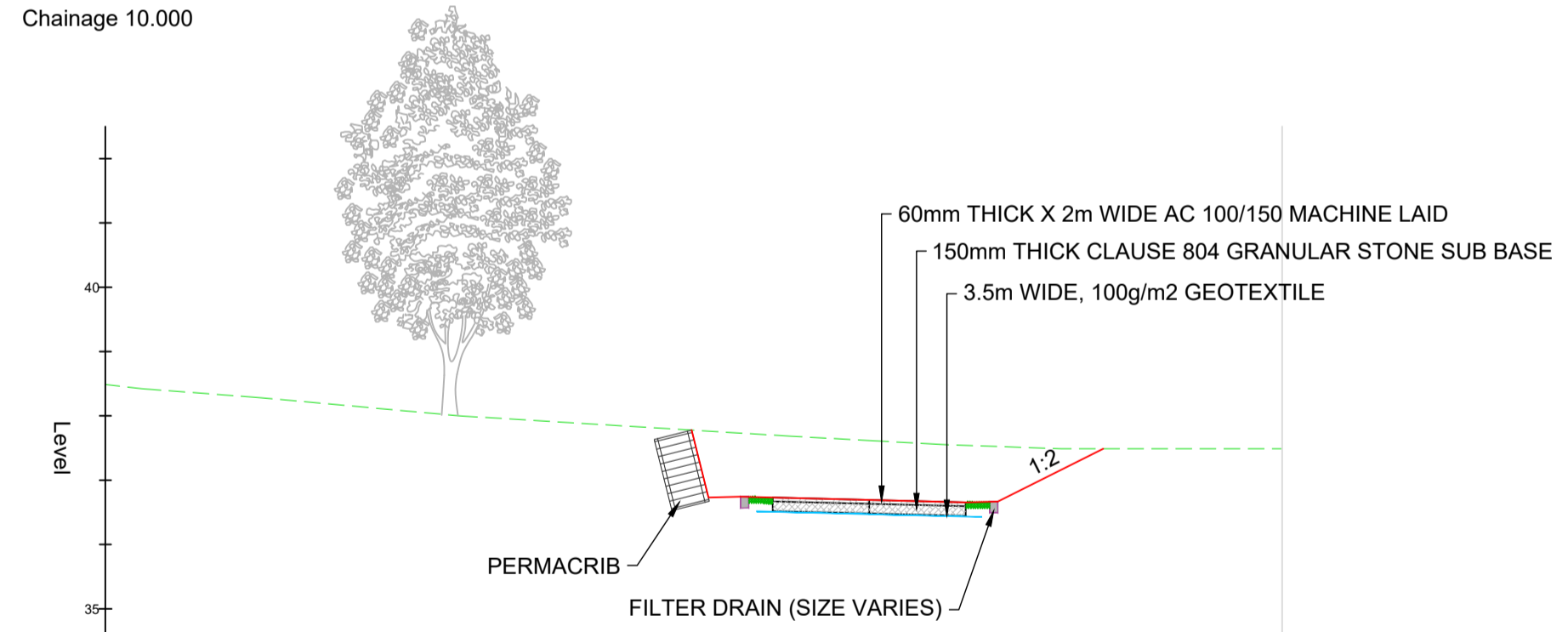


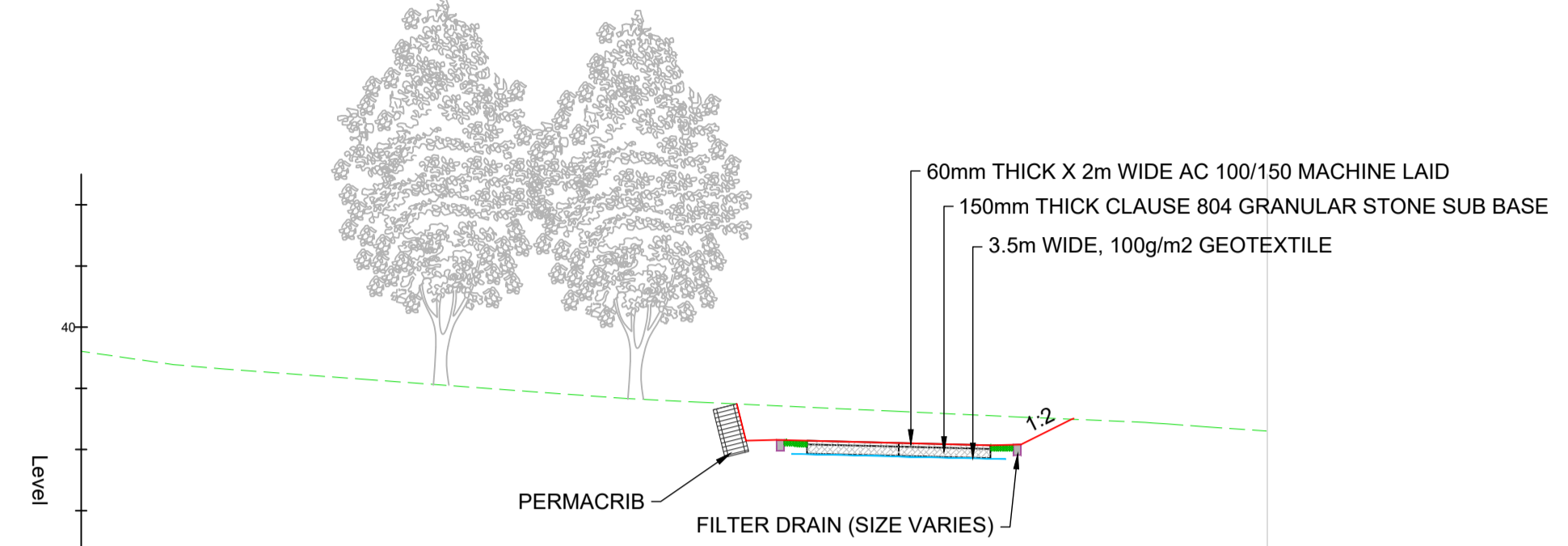
Proposed Levels		36.17	35.14	35.18	35.22	35.19	37.19
Existing Levels	36.00	36.22	36.60	36.85	37.25		
Level Difference		0.00	-1.30	-1.43	-1.53	-1.65	0.00
Offset	7.46	4.08	0.00			5.98	6.46

Chainage 10.000



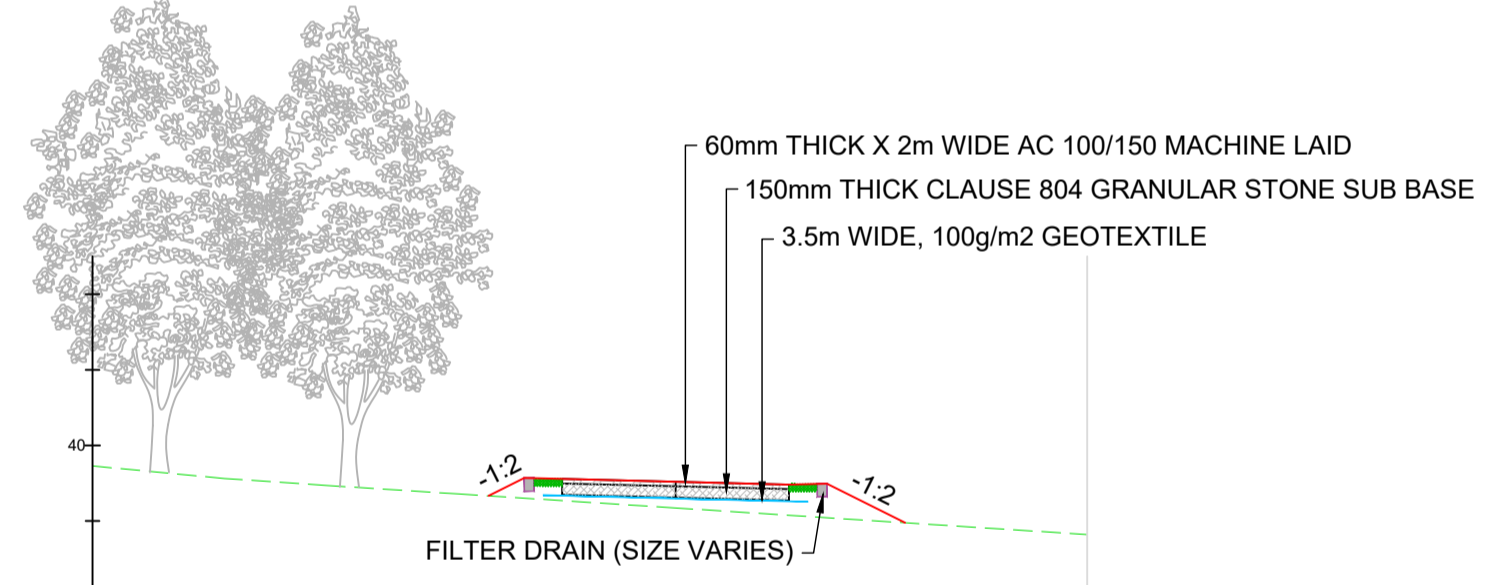
Proposed Levels			37.78	36.73	36.69	36.66	37.49
Existing Levels	38.42	38.26	38.00	37.68	37.62	37.56	37.49
Level Difference			0.00	-0.97	-0.92	-0.89	0.00
Offset	-10.00		-2.76	0.00		3.64	6.42

Chainage 30.000



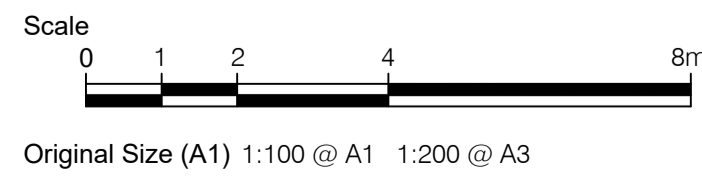
Proposed Levels			38.74	38.14	38.11	38.07	38.61
Existing Levels	39.64	39.32	39.15	38.83	38.78	38.62	38.53
Level Difference			0.90	-0.55	-0.52	-0.48	0.00
Offset	-6.66	-10.00		-2.65	0.00	2.86	6.66

Chainage 50.000



Proposed Levels			39.33	39.56	39.52	39.48	38.98
Existing Levels	39.78	39.56	39.47	39.36	39.17		38.96
Level Difference			0.00	0.29	0.35	0.41	0.00
Offset	7.71		-2.47	0.00		3.04	6.44

Chainage 70.000



PROJECT
 PROPOSED
 RESIDENTIAL
 DEVELOPMENT AT
 GLOUNTHAUNE, CO.
 CORK

CLIENT
 BLUESCAPE LTD

CONSULTANT
 AECOM
 Adelphi Plaza
 George's Street Upper
 Dun Laoghaire Co.Dublin
 +353 (0) 1 238 3100 tel
 +353 (0) 1 238 3199 fax
 www.aecom.com

- NOTES**
- THIS DRAWING IS TO BE READ IN CONJUNCTION WITH ALL OTHER RELEVANT ARCHITECTURAL AND ENGINEERING DRAWINGS. ANY DISCREPANCIES, ERRORS OR OMISSIONS TO BE BROUGHT TO THE ATTENTION OF THE DESIGNER.
 - ALL DIMENSIONS TO BE CHECKED BY THE CONTRACTOR ON SITE PRIOR TO COMMENCEMENT OF WORKS.
 - AECOM LIMITED TO BE INFORMED BY THE CONTRACTOR OF ANY DISCREPANCIES PRIOR TO THE COMMENCEMENT OF WORKS ON SITE.
 - DIMENSIONS OF ALL BOUNDARIES AND ADJOINING ROADS TO BE CHECKED ON SITE PRIOR TO COMMENCEMENT OF WORKS.
 - DO NOT SCALE. ALL MEASUREMENTS AND COORDINATES TO BE CHECKED ON SITE.
 - REFER TO LANDSCAPE ARCHITECTS DRAWINGS FOR DETAILS OF OPEN SPACE AND LEVELS.



ISSUE/REVISION

0	03.12.2021	ISSUED FOR PLANNING
I/R	DATE	DESCRIPTION

KEY PLAN

PROJECT NUMBER
 60592432

SHEET TITLE
 PROPOSED NORTH FOOTWAY
 CROSS SECTIONS -
 SHEET 1 OF 5

SHEET NUMBER
 60592432-ACM-00-00-DR-CE-10-0651

This drawing has been prepared for the use of AECOM's client. It may not be used, modified, reproduced or relied upon by third parties, except as agreed by AECOM or as required by law. AECOM accepts no responsibility, and denies any liability, whatsoever, to any party that uses or relies on this drawing without AECOM's express written consent. Do not scale this document. All measurements must be obtained from the stated dimensions.